

LATSCHBACHER
... marks quality

SLIDING CALIPER

Your wood in the best hands

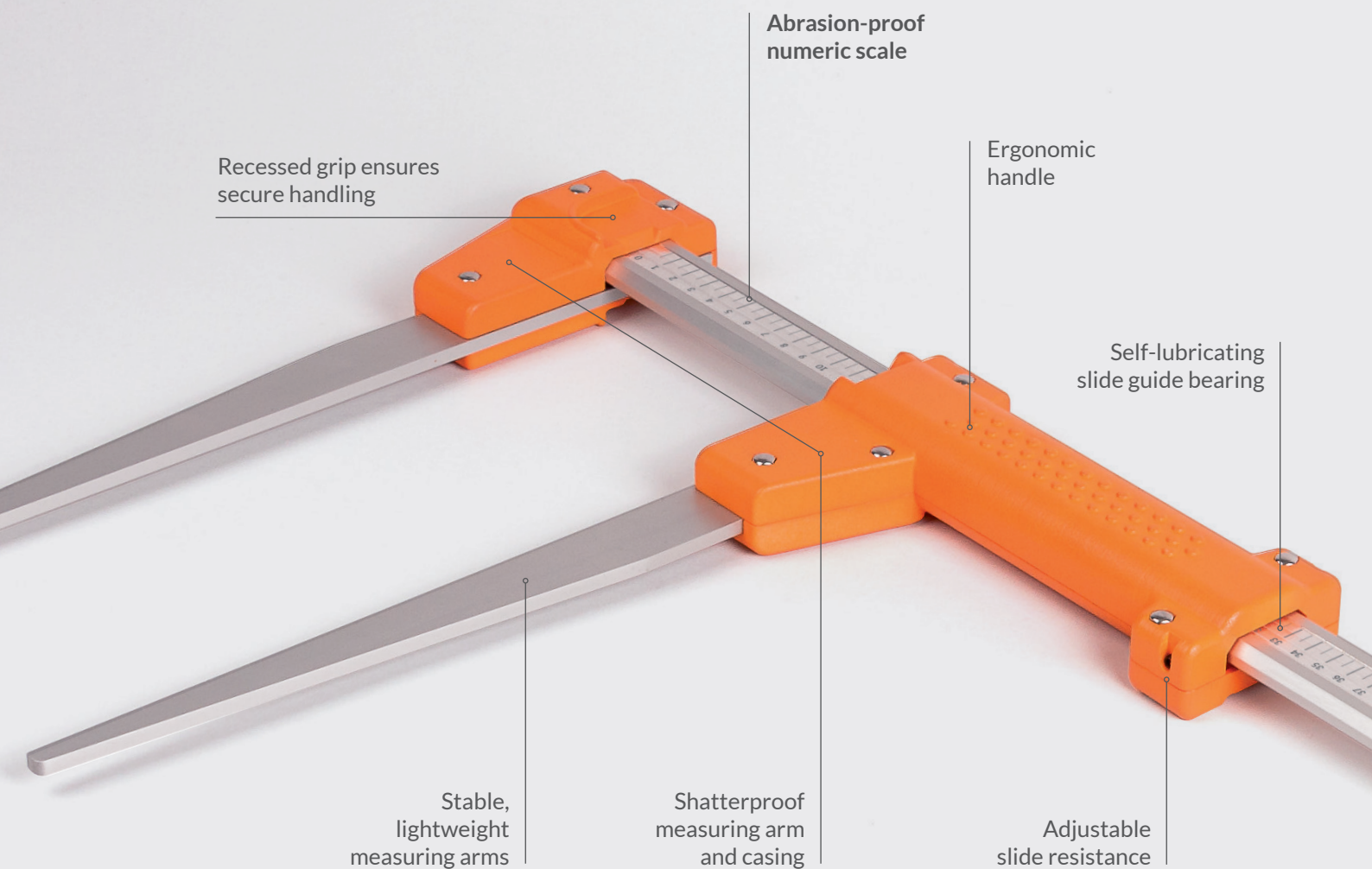


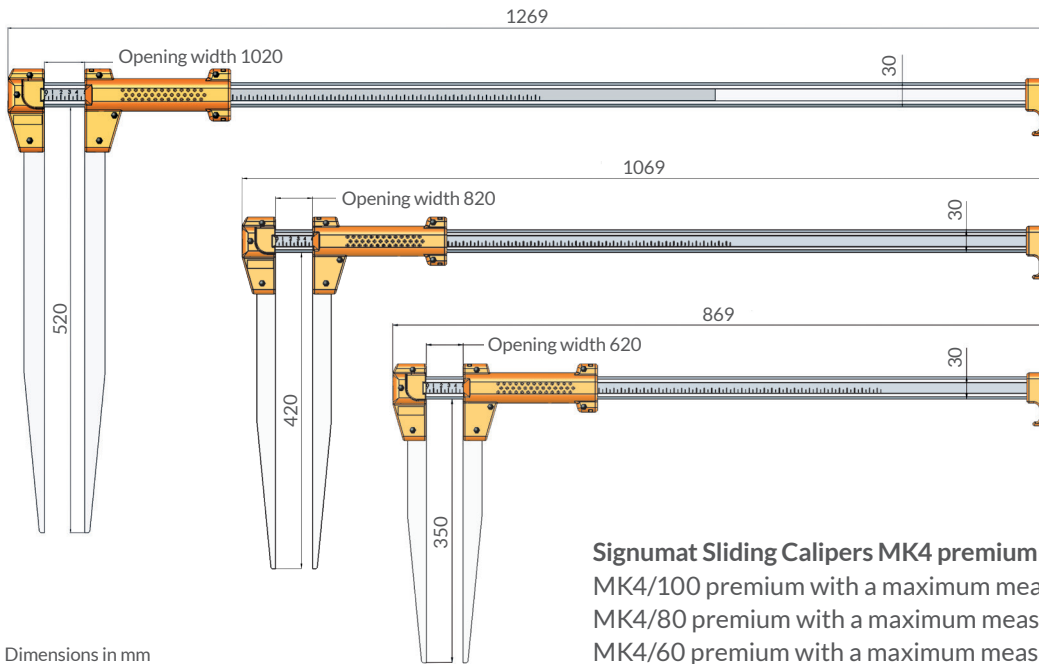
**EXACTLY
MY WOOD!**

SIGNUMAT SLIDING CALIPER

Adjustable - durable - lightweight

Accuracy is everything! High value timber is a valuable asset, where every centimetre counts. Therefore, we have developed our measuring tool exactly in line with your woodworking needs. The newly designed Signumat Sliding Caliper offers not only numerous user-friendly and well-thought-out details, but also includes adjusting screws, which enable easy adjustment of the measuring arms and allow you to control the resistance of the slide guide.





Dimensions in mm

Signumat Sliding Calipers MK4 premium are available in 3 forms
 MK4/100 premium with a maximum measuring width of 100 cm
 MK4/80 premium with a maximum measuring width of 80 cm
 MK4/60 premium with a maximum measuring width of 60 cm

THE ADVANTAGES OF THE PREMIUM SIGNUMAT SLIDING CALIPER AT A GLANCE:

- Adjusting screws for altering the resistance of the slide guide and measuring arms
- Shatterproof measuring arms and measuring arm casing
- Ergonomic details enable comfortable handling
- Recessed grip ensures secure handling of the upper part of the Signumat Sliding Caliper
- Protective plastic profile closures enable space saving, vertical storage
- High-quality manufacture allows sliding without bucking
- Extremely durable, even in high usage
- Abrasion-proof numeric scale, readable on both sides, even in bad light conditions
- Measuring stick out of resilient, light aluminium; hollow profile with bracing elements

TOP CHARACTERISTICS IN DETAIL



Recessed grip ensures secure handling and high slip resistance on the upper part of the Signumat Sliding Caliper.



The **ergonomic recessed grip** with anti-slip nubs guarantees comfortable handling.



The **resistant profile finish** ensures a durable and space saving product.

LOCATIONS

Austria

Latschbacher GmbH
Hauptstr. 8/10
A-4484 Kronstorf
Phone: +43 (0) 7225 8206-0
E-Mail: office@latschbacher.com

Switzerland

Latschbacher AG
Quarzwerkstr. 17
CH-8463 Benken ZH
Phone: +41 (0) 52 315 2357
E-Mail: office@latschbacher.ch

Brazil

SIGNUMAT Tecnologia Florestal Ltda.,
Rua Ari Barroso, 995 Itoupavazinha,
BRA-89066-347 Blumenau-SC
Phone: +55 (47) 3338-1188
E-Mail: signumat@signumat.com.br

Germany - South

Latschbacher GesmbH
Ludwig-Zeller-Straße 44
D-83395 Freilassing
Phone: +49 (0) 8654 4738-0
E-Mail: office@latschbacher.de

USA

American Signumat Ltd.
115 Wight Ave., Unit 397
MD 21030 Cockeysville
Phone: +1 (410) 592 2907
E-Mail: signumat@verizon.net

Poland

Signumat Polska Sp.z.o.o
Ul. Poznanska 50
PL-62-005 Bolechowo
Phone: +48 (0) 61 8113042
E-Mail: office@signumat.pl

Germany - North

ABIES ITS GmbH
Annastraße 39
D-37075 Göttingen
Phone: +49 (0) 551 49803-0
E-Mail: office@abies.de

Ukraine

Latschbacher Ukraine Ltd.
vul. Novozabarska 2/6, office 506/1
UA-04074 Kiev
Phone: +380 (0) 44 5005580
E-Mail: office@latschbacher.com.ua

Croatia

Ugoplast Signumat d.o.o.
Braće Radića 138
HR-31 500 Našice
Phone: +385 (0) 31 697 199
E-Mail: info@ugoplast.hr